



PERM-A-BARRIER® WALL MEMBRANE

Self-adhesive, rubberized asphalt/polyethylene waterproofing membrane for air and vapor barrier applications

Description

Perm-A-Barrier® Wall Membranes are ideal for protecting the building superstructure from the damaging effects of the elements. By minimizing air and water vapor flow through the building exterior, Perm-A-Barrier Wall Membranes:

- Prevent premature deterioration of the building envelope
- Enhance thermal performance of the structure and save energy costs
- Improve comfort for the building occupants

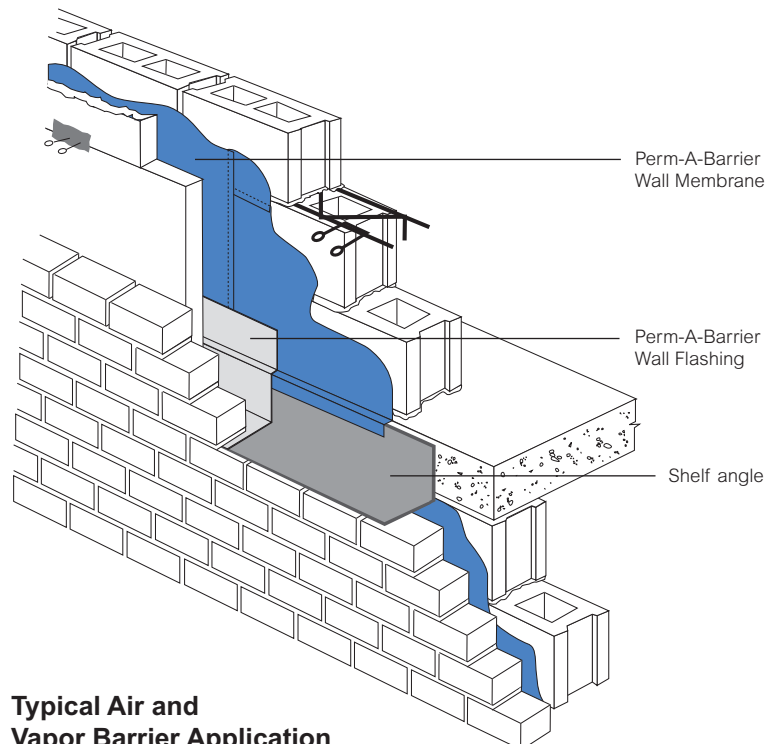
Advantages

- **Fully bonded** — transmits wind loads directly to the substrate
- **Waterproof and virtually impermeable to moisture** — virtually impermeable to the passage of liquid water and vapor

- **Air tight** — exceeds CCMC requirements for air barrier membranes, complies with Massachusetts State Energy Code and meets new ASTM E2357 standard
- **Cross laminated film** — provides dimensional stability, high tear strength, puncture and impact resistance
- **Cold applied** — no flame hazard; self-adhesive overlaps ensure continuity
- **Flexible** — accommodates minor settlement and shrinkage movement
- **Controlled thickness** — factory made sheet ensures constant, non-variable site application
- **Aggressive, conformable adhesive** — allows self-sealing around mechanical fasteners

Product Advantages

- Fully bonded
- Waterproof and virtually impermeable to moisture
- Air tight
- Cross laminated film
- Cold applied
- Flexible
- Controlled thickness
- Aggressive, conformable adhesive
- Wide application window



Typical Air and Vapor Barrier Application

Drawings are for illustration purposes only. Please refer to graceconstruction.com for specific application details.

- **Wide application window**—
 - **Perm-A-Barrier Wall Membrane** surface and ambient temperatures at 5°C (40°F) and above
 - **Perm-A-Barrier Low Temperature Wall Membrane** surface and ambient temperatures between 25°F (-4°C) and 60°F (16°C)
 - **Perm-A-Barrier High Temperature Wall Membrane** for use at in-service temperatures between 150°F (65°C) and 180°F (82°C)

System Components

- **Perm-A-Barrier Wall Membrane** — standard grade for use at installation temperatures above 40°F (5°C)
- **Perm-A-Barrier Low Temperature Wall Membrane** — low temperature grade for use at installation temperatures between 25°F (-4°C) and 60°F (16°C)
- **Perm-A-Barrier High Temperature Wall Membrane** — for use where in-service temperatures are between 150°F (65°C) and 180°F (82°C)
- **Perm-A-Barrier WB Primer** — high tack, water-based primer for use with Perm-A-Barrier Wall Membranes on cementitious and exterior gypsum wallboards
- **Bituthene® Primer B2** — used to prime green concrete or damp substrates
- **Bituthene Primer B2 LVC** — low VOC primer for priming green concrete and damp surfaces
- **Bituthene Mastic** — rubberized asphalt mastic for sealing penetrations, terminations, brick ties, etc.
- **Bituthene Liquid Membrane** — two component, trowel grade, asphalt modified urethane for sealing patches, terminations, brick ties, etc.
- **Perm-A-Barrier Wall Flashing** — fully adhered throughwall flashing system
- **Perm-A-Barrier Detail Membrane** — fully adhered flashing for protecting and sealing critical detail areas

Installation

Safety

Perm-A-Barrier products must be handled properly. Vapors from the mastic and solvent-based primer are harmful and flammable. For these products, the best available information on safe handling, storage, personal protection, health and environmental considerations has been gathered. Refer to product label and Material Safety Data Sheet before use. All users should acquaint themselves with this information prior to working with the material. Carefully read detailed precaution statements on the product labels and MSDS before

use. MSDSs can be obtained from our web site at graceconstruction.com or by contacting us toll free at 866-333-3SBM (3726).

Surface Preparation

Surface must be smooth, clean, dry and free of voids, spalled areas, loose aggregate, loose nails, sharp protrusions or other matter that will hinder the adhesion or regularity of the wall membrane installation. Clean loose dust or dirt from the surface to which the wall membrane is to be applied by wiping with a clean, dry cloth or brush.

If the substrate is damp, allow to dry or use Bituthene Primer B2 or Bituthene Primer B2 LVC to prepare the area to receive the membrane.

Temperature

Perm-A-Barrier Low Temperature Membrane may be applied only in dry weather when air and surface temperatures are between 25°F (-4°C) and 60°F (16°C). Perm-A-Barrier Wall Membrane and Perm-A-Barrier High Temperature Wall Membrane may be applied only in dry weather when air and surface temperatures are above 40°F (5°C).

Application

Perm-A-Barrier WB Primer is a water-based primer which imparts an aggressive, high tack finish on the treated substrate. It is packaged ready to use and is specifically designed to facilitate tenacious adhesion of Perm-A-Barrier Wall Membranes to various substrates including glass-mat faced gypsum sheathing. Refer to Technical Letter 2, *Substrate Preparation for Application of Perm-A-Barrier Products to Glass-Mat Faced Gypsum Sheathing* for priming requirements on specific glass-mat faced sheathing products.

Membrane Application

Cut membrane into easily handled lengths. Apply membrane horizontally or vertically to primed substrates receiving post-applied masonry anchors (ties), such as gypsum sheathing.

Apply Perm-A-Barrier Wall Membranes horizontally to the primed blockwork with projecting masonry anchors (ties), beginning at the base of the wall. Each length of the membrane must be installed so that the upper edge runs continuously along the underside of the line of masonry anchors (ties). Subsequent sheets applied above must overlap the sheet below by 2 in. (51 mm) immediately below the line of anchors (ties). Since the membrane width appropriate for this application of 18 in. (457 mm) is wider than the typical spacing between the lines of anchors (ties) 16 in. (406 mm), it will be necessary to cut the membrane at the location of the tie wires projecting from the wall to enable the sheet to be laid in place. End laps that occur in subsequent lengths that follow should maintain a minimum overlap of 2 in. (51 mm). See Figures 1 and 2.

The membrane must be pressed firmly into place with a hand roller or the back of a utility knife as

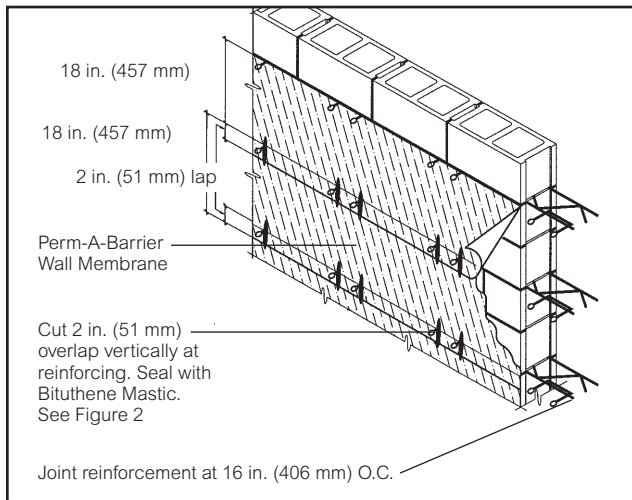


Figure 1: Membrane System Detail

soon as possible, ensuring continuous and intimate contact with the substrate to prevent water from migrating under the membrane.

For Perm-A-Barrier High Temperature Wall Membrane, secure top edge of membrane with mechanical termination bar fastened securely into the structure.

In certain applications such as on soffits, ceilings or substrates such as oriented strand board (OSB), backnail the membrane along the side lap prior to installing the next sheet of membrane to ensure positive contact to the substrate.

Apply Bituthene Mastic or Bituthene Liquid Membrane to seal around the tie wire projections. Fit the Perm-A-Barrier Wall Membrane tightly around all penetrations through the membrane and seal using Bituthene Mastic or Bituthene Liquid Membrane.

Continue the membrane into all openings in the wall area, such as windows, doors, etc., and terminate at points that will prevent interior visibility. The installation must be made continuous at all framed openings. Coordinate installation of the Perm-A-Barrier Wall Membrane with the roofing trade to ensure continuity with the roofing system at this critical transition area.

At the end of each working day, if the wall has been only partially covered, apply a bead of Bituthene Mastic or Bituthene Liquid Membrane along the top edge of the membrane at its termination to prevent vertical drainage of precipitation from penetrating the end and undermining the membrane adhesion. Tool the Bituthene Mastic or Bituthene Liquid Membrane to ensure it is worked into the surface. Inspect the membrane before covering and repair any punctures, damaged areas or inadequately lapped seams.

Membrane Repairs

Repairs must be made using Perm-A-Barrier Wall Membrane sized to extend 6 in. (150 mm) in all directions from the perimeter of the affected area.

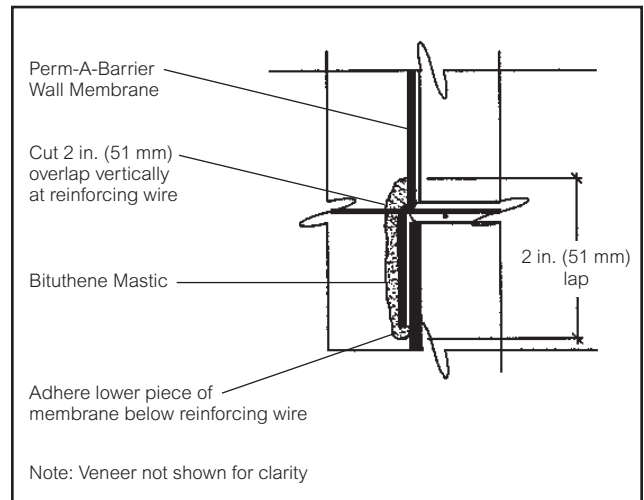


Figure 2: Horizontal Reinforcing

If repairs are required, carefully cut out affected areas and replace in similar procedure as outlined above. The repair piece must be pressed into place with a hand roller as soon as possible to ensure continuous and intimate contact with the substrate.

Membrane Protection

Perm-A-Barrier Wall Membranes must be protected from damage by other trades or construction materials.

Storage and Handling Information

All materials must be protected from rain and physical damage. Pallets of Perm-A-Barrier Wall Membrane must not be double stacked on the job site. Provide cover on top and all sides, allowing for adequate ventilation. Store membrane where temperatures will not exceed 90°F (32°C) for extended periods. All products must be stored in a dry area away from high heat, flames or sparks. Store only as much material at point of use as is required for each day's work.

Limitations

Perm-A-Barrier Wall Membrane systems must not be applied in areas where they will be permanently exposed to UV light and must be covered within a reasonable amount of time, not to exceed 30 days.

Warranty

Perm-A-Barrier products are warranted to be free of defects in manufacture for a period of 5 years. Material will be provided at no charge to replace any defective product.

Technical Service

Support is provided by full-time technically trained Grace field sales representatives and technical service personnel, backed by a central research and development technical services staff.

Supply

| Product | Unit of Sale | Approximate Coverage | Weight | Palletization |
|---|--|--|--|--|
| Perm-A-Barrier Wall Membranes | 1 roll | 225 ft ² (20.9 m ²) per roll 3 x 75 ft (0.9 x 25 m) roll | 67 lbs/roll | 25 cartons (25 rolls) per pallet |
| Perm-A-Barrier Wall Flashing —12 in. (305 mm) —18 in. (457 mm) —24 in. (610 mm) —36 in. (914 mm) | 3 rolls 2 rolls 1 roll 1 roll | 75 linear ft per roll 75 linear ft per roll 75 linear ft per roll 75 linear ft per roll | 25 lbs/roll 37.5 lbs/roll 55 lbs/roll 75 lbs/roll | 25 cartons (75 rolls) per pallet 25 cartons (50 rolls) per pallet 35 cartons (35 rolls) per pallet 25 cartons (25 rolls) per pallet |
| Perm-A-Barrier Detail Membrane —6 in. (152 mm) —9 in. (225 mm) —12 in. (305 mm) | 6 rolls 4 rolls 3 rolls | 75 linear ft per roll 75 linear ft per roll 75 linear ft per roll | 11 lbs/roll 16 lbs/roll 22 lbs/roll | 25 cartons (150 rolls) per pallet 25 cartons (100 rolls) per pallet 25 cartons (75 rolls) per pallet |
| Bituthene Mastic—5 gal pail | 1 pail | approx. 120 ft ² at 60 mils | 54 lbs/pail | 36 pails per pallet |
| Bituthene Mastic—30 oz tube | 12 tubes | approx. 30 linear ft x ¼ in. bead | 32 lbs/carton | 72 cartons (864 tubes) per pallet |
| Bituthene Liquid Membrane —1.5 gal pail | 1 pail | approx. 200 Linear ft/gal @ 1" wide x 90 mils. | 16 lbs/pail | 100 pails per pallet |
| Bituthene Liquid Membrane —4 gal pail | 1 pail | approx. 200 Linear ft/gal @ 1" wide x 90 mils. | 44 lbs/pail | 24 pails per pallet |
| Perm-A-Barrier WB Primer —5 gal pail | 1 pail | 250–350 ft ² /gal (6–8 m ² /L) | 45 lbs/pail | 24 pails per pallet |
| Bituthene Primer B2—5 gal pail | 1 pail | 250–350 ft ² /gal (6–8 m ² /L) | 44 lbs/pail | 48 pails per pallet |
| Bituthene Primer B2 LVC —5 gal pail | 1 pail | 325–425 ft ² /gal (7.5–10 m ² /L) | 44 lbs/pail | 48 pails per pallet |

Physical Properties

| Property | Perm-A-Barrier Wall Membrane | Perm-A-Barrier Low Temperature | Perm-A-Barrier High Temperature | Test Method |
|---|--|--|--|--------------------------|
| Thickness | ⅜ in. (1 mm) | ⅜ in. (1 mm) | ⅜ in. (1 mm) | ASTM D3767 method A |
| Minimum tensile strength, membranes | 400 psi (2.8 MPa) | 400 psi (2.8 MPa) | 400 psi (2.8 MPa) | ASTM D412 die C modified |
| Minimum tensile strength, film | 5000 psi (34.5 MPa) | 5000 psi (34.5 MPa) | 5000 psi (34.5 MPa) | ASTM D412 die C modified |
| Minimum elongation, to failure of rubberized asphalt | 200% | 200% | 200% | ASTM D412 die C modified |
| Pliability, at 180° bend over 1 in. (25 mm) mandrel | Pass at -25°F (-32°C) | Pass at -45°F (-43°C) | Pass at -25°F (-32°C) | ASTM D1970 |
| Crack cycling, ⅛ in. (3.2 mm) at -25°F (-32°C) | Unaffected | Unaffected | Unaffected | ASTM C836 |
| Minimum puncture resistance, membrane | 40 lbs (178 N) | 40 lbs (178 N) | 40 lbs (178 N) | ASTM E154 |
| Lap peel adhesion at minimum application temperature | 4 lbs/in. width (700 N/m) | 5 lbs/in. width (875 N/m) | 4 lbs/in. width (700 N/m) | ASTM D1876 modified |
| Maximum permeance to water vapor transmission | 0.05 perms/(Pa.s.m ²) (2.9 ng) | 0.05 perms/(Pa.s.m ²) (2.9 ng) | 0.05 perms/(Pa.s.m ²) (2.9 ng) | ASTM E96 method B |
| Air permeance of in-place membrane ¹ | 0.0002 cfm/ft ² (<0.001 L/s/m ²) | 0.0002 cfm/ft ² (<0.001 L/s/m ²) | 0.0002 cfm/ft ² (<0.001 L/s/m ²) | ASTM E2178 |
| Assembly air permeance at 1.57 psf (75 Pa) pressure difference ² | <0.0008 cfm/ft ² (<0.004 L/s/m ²) | <0.0008 cfm/ft ² (<0.004 L/s/m ²) | <0.0008 cfm/ft ² (<0.004 L/s/m ²) | ASTM E2357 |
| Air permeance of in-place membrane ³ | No change in air permeance value | No change in air permeance value | No change in air permeance value | ASTM E330 |
| Water absorption (weight gain at 24 hours) | 0.1% | 0.1% | 0.1% | ASTM D570 |

Footnote:

1. Air permeance measured at a pressure differential of 1.57 psf (75 Pa).
2. Results below detectable limits of laboratory equipment.
3. Air permeance measured at a pressure differential of ⅜ in. (68 Pa) Hg after wall being subjected to a negative ⅝ in. (3014 Pa) Hg pressure difference for 10 seconds.

www.graceconstruction.com

For technical assistance call toll free at 866-333-3SBM (3726)

Perm-A-Barrier and Bituthene are registered trademarks of W. R. Grace & Co.—Conn.
DensGlass Gold is a registered trademark of Georgia-Pacific Corporation.

We hope the information here will be helpful. It is based on data and knowledge considered to be true and accurate and is offered for the users' consideration, investigation and verification, but we do not warrant the results to be obtained. Please read all statements, recommendations or suggestions in conjunction with our conditions of sale, which apply to all goods supplied by us. No statement, recommendation or suggestion is intended for any use which would infringe any patent or copyright. W. R. Grace & Co.—Conn., 62 Whittemore Avenue, Cambridge, MA 02140. In Canada, Grace Canada, Inc., 294 Clements Road, West, Ajax, Ontario, Canada L1S 3C6.

This product may be covered by patents or patents pending.
PAB-040H Printed in U.S.A. 4/10

Copyright 2010. W. R. Grace & Co.—Conn.
FA/PDF

GRACE